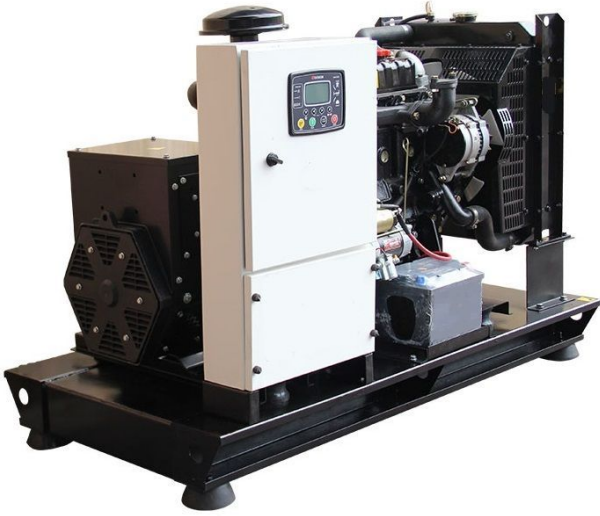


# Trio GENERATOR

**YANGDONG  
DIESEL ENGINES**



**MADE IN  
TURKEY**



**RAINBOW  
CONFIGURATION  
EDITOR**



## OUTPUT VALUES

Standby Power	Voltage	230/400
Standby Power	kVA	55
Standby Power	kW	44
Standby Power	Amper	79
Prime Power	Voltage	230/400
Prime Power	kVA	50
Prime Power	kW	40
Prime Power	Amper	72

## DIESEL ENGINE

Brand	YANG DONG
Model	Y4105D
Max. Total Output Pow. (kW/hp)	47/55
Cylinder Displacement (lt)	4,1
Cylinder Orientation	4 Single Line
Bore x Stroke(mm*mm)	100*185
Compression Ratio	17,00
Governor Type	Mechanic
Rotation	1500 RPM
Aspiration System	Natural
Injection	Direct
Cooling System	Water Cooled
Electrical System(V DC)	12
Oil Capacity (lt)	13
Engine Coolant Capacity (lt)	17
Fuel Cons. %50 (lt/h)	6,1
Fuel Cons. %75 (lt/h)	7,6
Fuel Cons. %100 (lt/h)	10,2

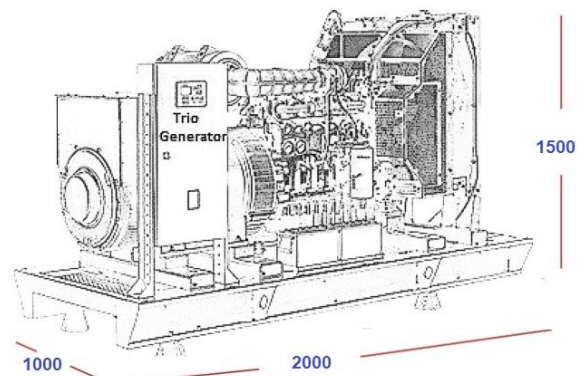
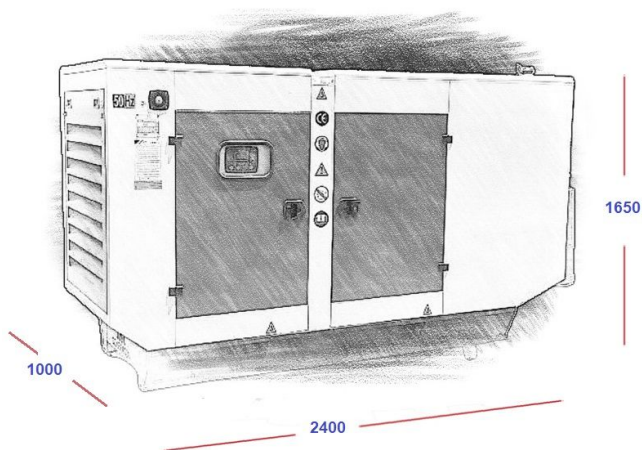
## ALTERNATOR

Standby Power (kVa/kw)	44/35
Prime Power (kVa/kw)	40/32
Brand	TRIO
Output Voltage (V)	231/400
Frequency (Hz)	50
Stationary Vol. Regulation(±)	0,01
Short Circuit Current	%300 (10 sec)
Insulation	H
Protection	IP23
Efficiency (%)	94,5
Overloading	110% for 1 hour
Power Factor (cos Q=0.8)	0,8
Tot. Harmonic Dist. Rate	<1 %

Connection Type	Star
Number of Pole	4
Number of Bearing	Single

### DIMENSIONS & WEIGHT

Without Canopy	Width	1000 mm
Without Canopy	Length	2000 mm
Without Canopy	High	1500 mm
Without Canopy	Weight	750 kg
Without Canopy	Fuel Tank Capacity	180 lt
With Canopy	Width	1000 mm
With Canopy	Length	2400 mm
With Canopy	High	1650 mm
With Canopy	Weight	850 kg
With Canopy	Fuel Tank Capacity	180 lt



**MADE IN  
TURKEY**